

THIS DRAWING IS UNPUBLISHED.

RELEASED FOR PUBLICATION

.19

© COPYRIGHT 19

BY AMP INCORPORATED.

ALL RIGHTS RESERVED.

LOC
DY

DIST
-

REVISIONS

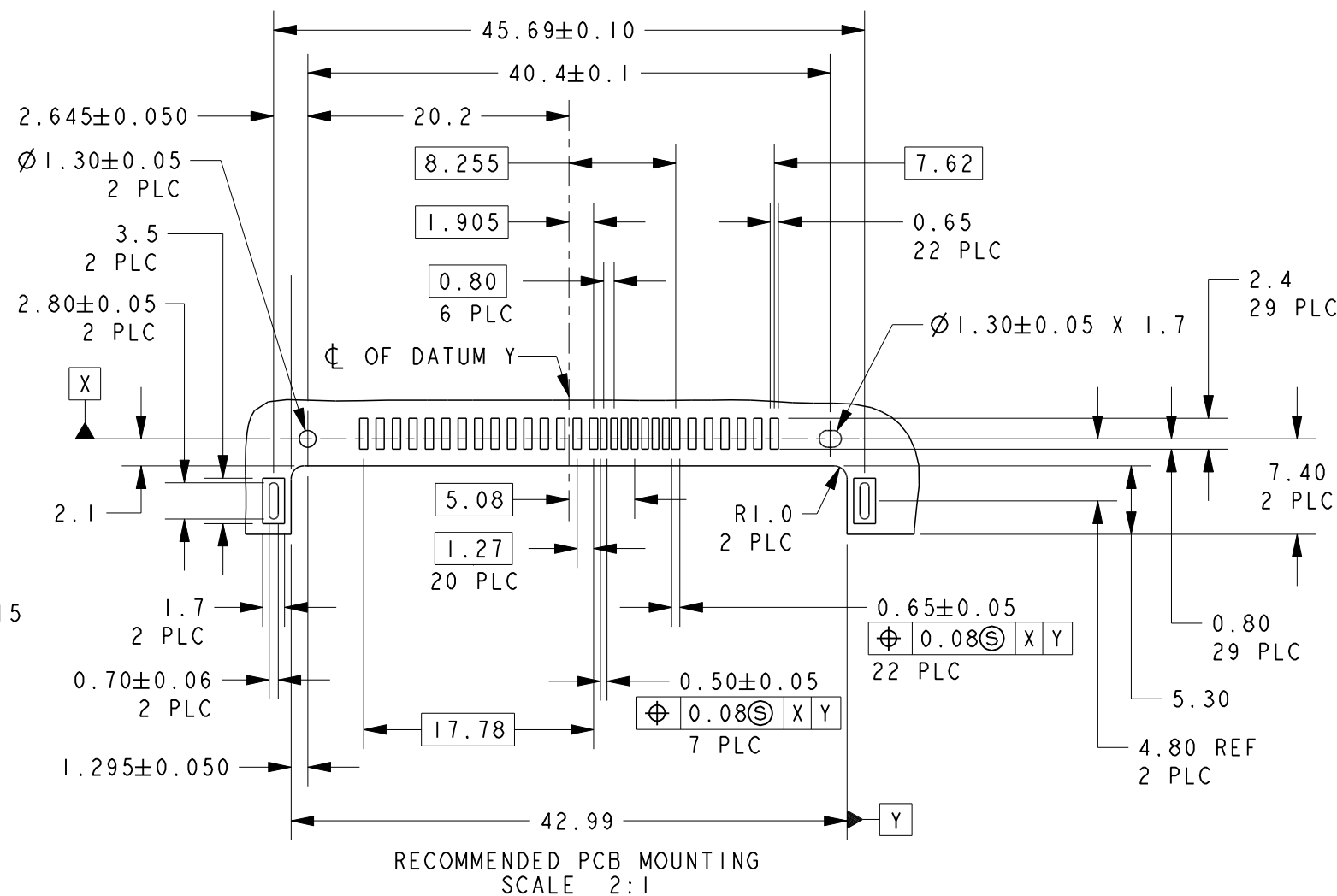
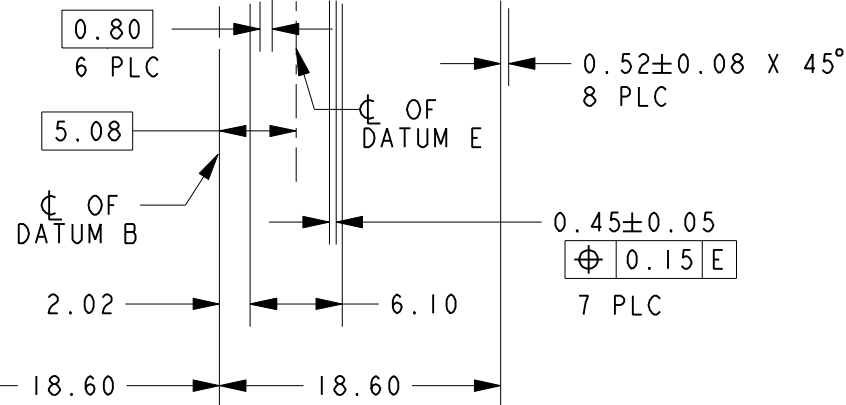
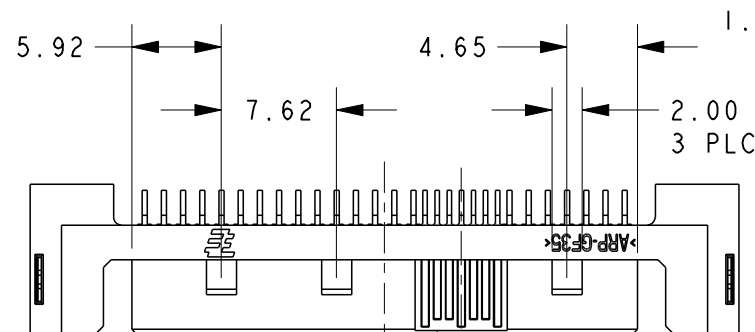
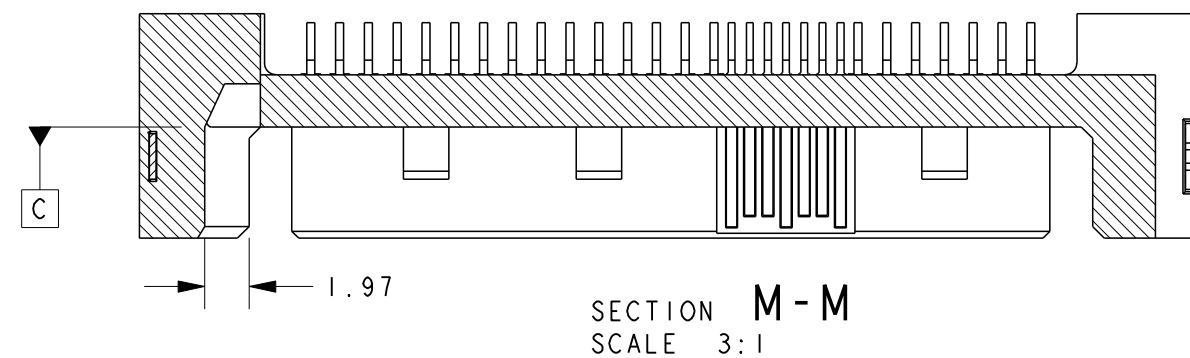
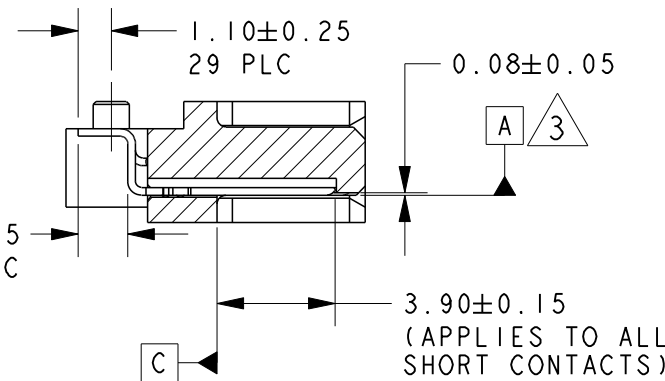
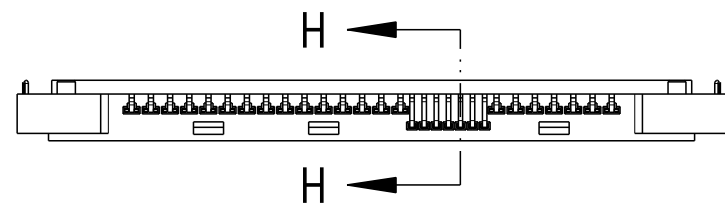
DESCRIPTION

DATE

DWN

APVD

SEE SHEET 1



SECTION H-H
SCALE 4:1

SECTION M-M
SCALE 3:1

SECTION F-F
SCALE 5:1

SECTION G-G
SCALE 5:1

RECOMMENDED PCB MOUNTING
SCALE 2:1

THIS DRAWING IS A CONTROLLED DOCUMENT FOR AMP INCORPORATED. IT IS SUBJECT TO CHANGE AND THE CONTROLLING ENGINEERING ORGANIZATION SHOULD BE CONTACTED FOR THE LATEST REVISION.

DWN WYLEE 18DEC07

CHK JASON CHOW

APVD SF LEONG

PRODUCT SPEC 108-51053

APPLICATION SPEC

WEIGHT 1.53g

CUSTOMER DRAWING



Tyco Electronics Corporation
Singapore

NAME
SAS PLUG, SMT,
15+7+7P

SIZE A3 CAGE CODE 00779 DRAWING NO C-1735610

SCALE 2:1 SHEET 2 OF 2 REV B2

DIMENSIONS: mm

TOLERANCES UNLESS OTHERWISE SPECIFIED:

0 PLC	±
1 PLC	±0.15
2 PLC	±0.15
3 PLC	±0.15
4 PLC	±
ANGLES	±2°

MATERIAL

FINISH

